

COPYRIGHT:

DEUTSCH

DIESE DRUCKSCHRIFT UND ALLE IHRE BESTANDTEILE IST URHEBERRECHTLICH GESCHÜTZT.

ABBILDUNGEN, GRAFISCHE DARSTELLUNGEN, TEXTE ODER DIE DRUCKSCHRIFT INSGESAMT ODER IN TEILEN DÜRFEN NICHT OHNE VORHERIGE SCHRIFTLICHE GENEHMIGUNG NACHGEDRUCKT ODER SONST REPRODUZIERT WERDEN (Z. B. AUF CD-ROM ODER IM INTERNET).

WENN SIE DIESE PDF-DATEI FÜR IHREN PERSÖNLICHEN GEBRAUCH VON UNSERER INTERNET-SEITE KOPIERT HABEN, MÖCHTEN WIR DARAUF HINWEISEN, DASS ALLE DORT ZUR VERFÜGUNG GESTELLTEN DATEIEN OHNE JEDEN WEITERN HINWEIS AUF DEN NEUESTEN TECHNISCHEN STAND GEBRACHT WERDEN. DIE ÄNDERUNG VON TECHNISCHEN DATEN UND LIEFERUMFANG IST DAHER VORBEHALTEN.

COPYRIGHT:

ENGLISH

ALL ARTWORK, PICTURES AND TEXTS ARE COVERED BY OUR COPY-RIGHT.

THEY MUST NOT BE COPIED FOR REPRODUCTION (E.G. ON CD-ROM DISKS OR INTERNET-SITES) OR USED IN THEIR ENTIRE FORM OR IN EXCERPTS WITHOUT OUR PREVIOUS WRITTEN AGREEMENT.

IF YOU ARE DOWNLOADING PDF-FILES FROM OUR INTERNET HOME-PAGE FOR YOUR PERSONAL USE, MAKE SURE TO CHECK FOR UPDATED VERSIONS.

WE CANNOT TAKE ANY LIABILITY WHATSOEVER FOR DOWNLOADED FILES, AS TECHNICAL DATA ARE SUBJECT TO CHANGE WITHOUT NOTICE.

ARRI



LMB-5

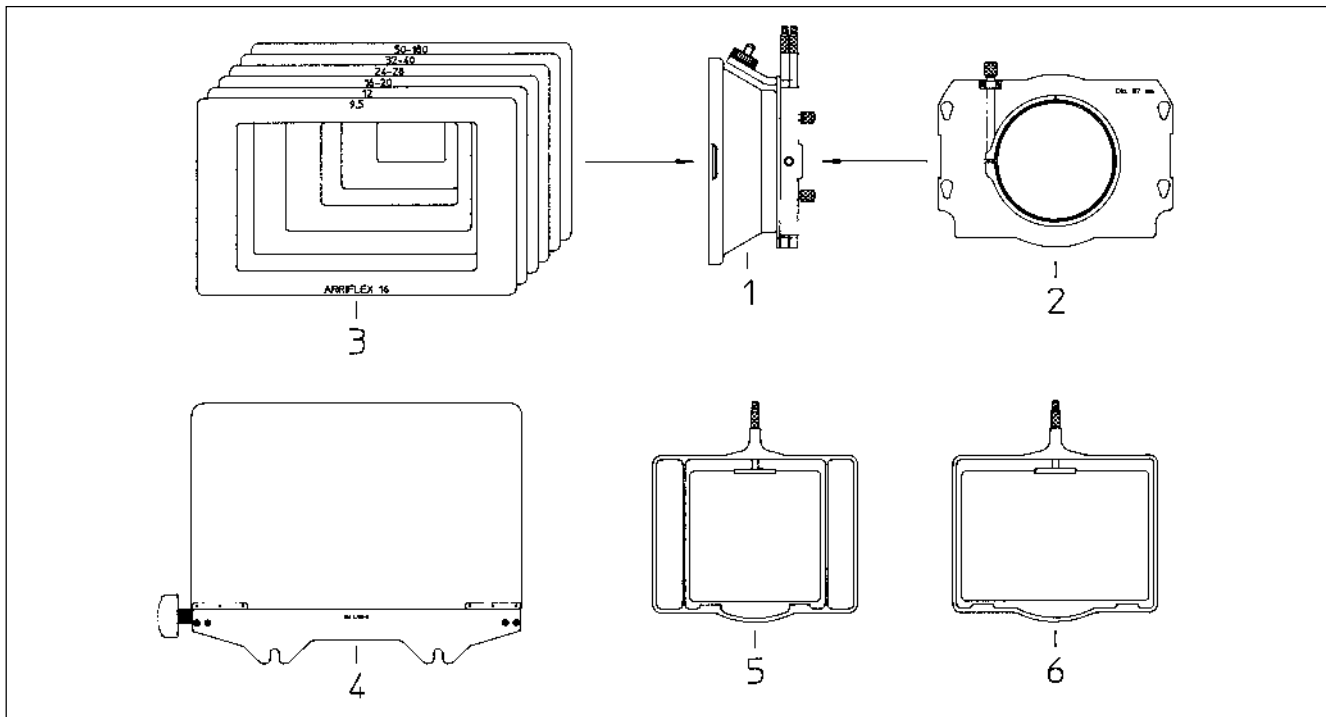


4"x5,65" Lightweight Matte Box LMB-5

The lightweight matte box LMB-5 is equipped with two push-through 4"x5.65" filter frames as well as with attachments for a light shield. The matte box is attached directly to the front ring of the lens with a clamp adapter of appropriate diameter.

The slip-on carbon fiber light shield is lightweight and compact and can always stay in place. During breaks in shooting or when transporting a completely set-up camera, the light shield can be folded flat against the front of the matte box to protect the filters or the front element of the lens.

4"x4" filter frames and mask sets for 16mm / 35mm lenses are available as additional accessories.



4"x5.65" Lightweight Matte Box LMB-5 System

Pos.	Ident-No.	Description
1	K2.47239.0	4"x5.65" Lightweight matte box LMB-5
2	K2.47243.0	Clamp adapter dia. 80 mm for prime lenses and Zeiss Vario-Sonnar T2/10-100
	K2.47242.0	Clamp adapter dia. 87 mm for Zeiss Vario-Sonnar T2/10-110 II + T2/11-110 and Century T1.9/6
	K2.47241.0	Clamp adapter dia. 95 mm for Canon 7-56 + 8-64 + 11.5-138
	K2.47240.0	Clamp adapter dia. 114 mm for Zeiss Distagon T2/14 and Angenieux 10-120/11.5-138
3	K2.47108.0	Set of masks for 16 mm 9.5-180 mm lenses
	K2.47109.0	Set of masks for 35 mm 18-180 mm lenses
4	K2.47244.0	Light shield
5	K2.47104.0	4"x4" Filter frame
6	K4.47514.0	4"x5.65" Filter frame horizontal (spare)

Technical Data:

Shortest focal length with 16 mm lenses (Super 16)

6 mm

Shortest focal length with 35 mm lenses (Super 35)

14 mm

Dimensions:

9.4 x 6.9 x 3.1 in.

Weight:

Pos. 1

11.3 oz.

Pos. 2

3.9 - 4.4 oz.

Pos. 4

5.3 oz.



ARNOLD & RICHTER CINE TECHNIK

TÜRKENSTR. 89 • D-80799 MÜNCHEN • TEL. (089) 3809-0
FAX (089) 3809-1244 • <http://www.arri.com>