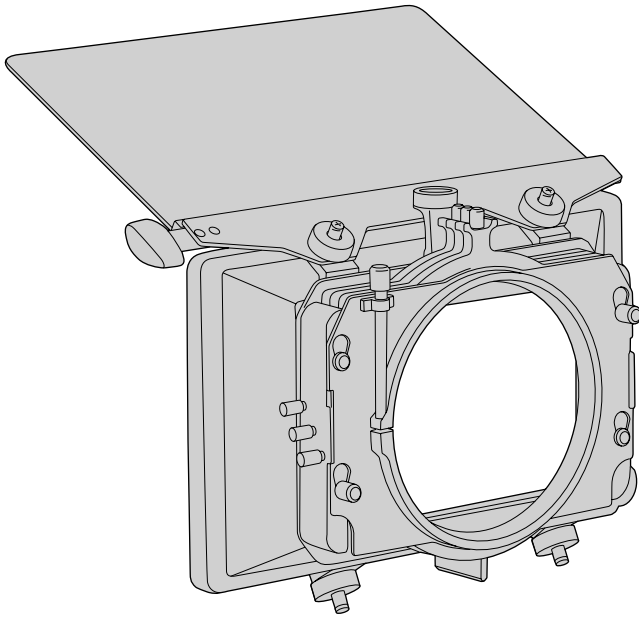


# Lightweight Matte Box LMB-25 / LMB-6

USER GUIDE



## Table of Contents

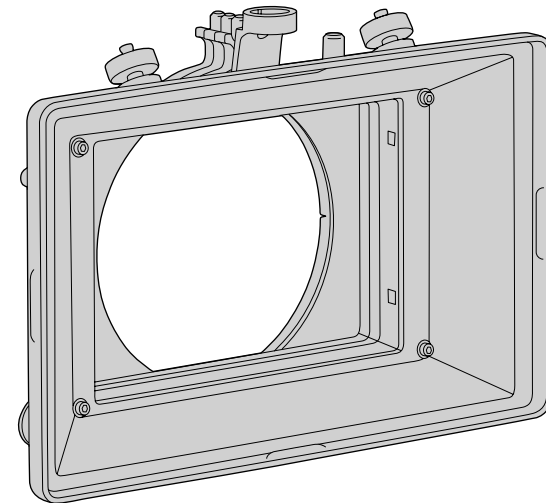
<b>INTRODUCTION</b> .....	<b>3</b>
<b>OVERVIEW LMB-25</b> .....	<b>4</b>
<b>OVERVIEW LMB-6</b> .....	<b>6</b>
<b>INSTRUCTIONS</b> .....	<b>8</b>
Fit Clamp Adapter .....	8
Insert Filter Frame .....	10
Fit 2- or 3-Filter Stage Guides .....	12
Fit Top/Bottom Flag .....	16
Adding Optional Bottom Flag Holders .....	18
Remove Hood .....	20
Secure Matte Box for Crane Use .....	22
Mounting and Usage of Tray Catcher .....	24
Adding Accessory Attachment .....	26
Inserting Mattes .....	28
<b>LEGAL DISCLAIMER</b> .....	<b>30</b>
<b>CONTACTS</b> .....	<b>31</b>

## Lightweight Matte Box LMB-25

The LMB-25 is a lightweight clamp-on matte box designed to hold two to three 4" x 5.65", 4" x 4" or 5" x 5" filters on lenses up to 143 mm in diameter. The widest Master Prime lens the LMB-25 matte box will cover with two 4" x 5.65" filters in the ANSI S35 format is 14 mm.

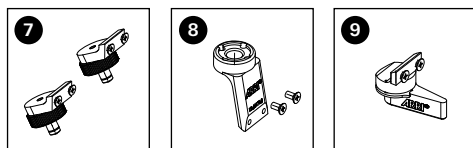
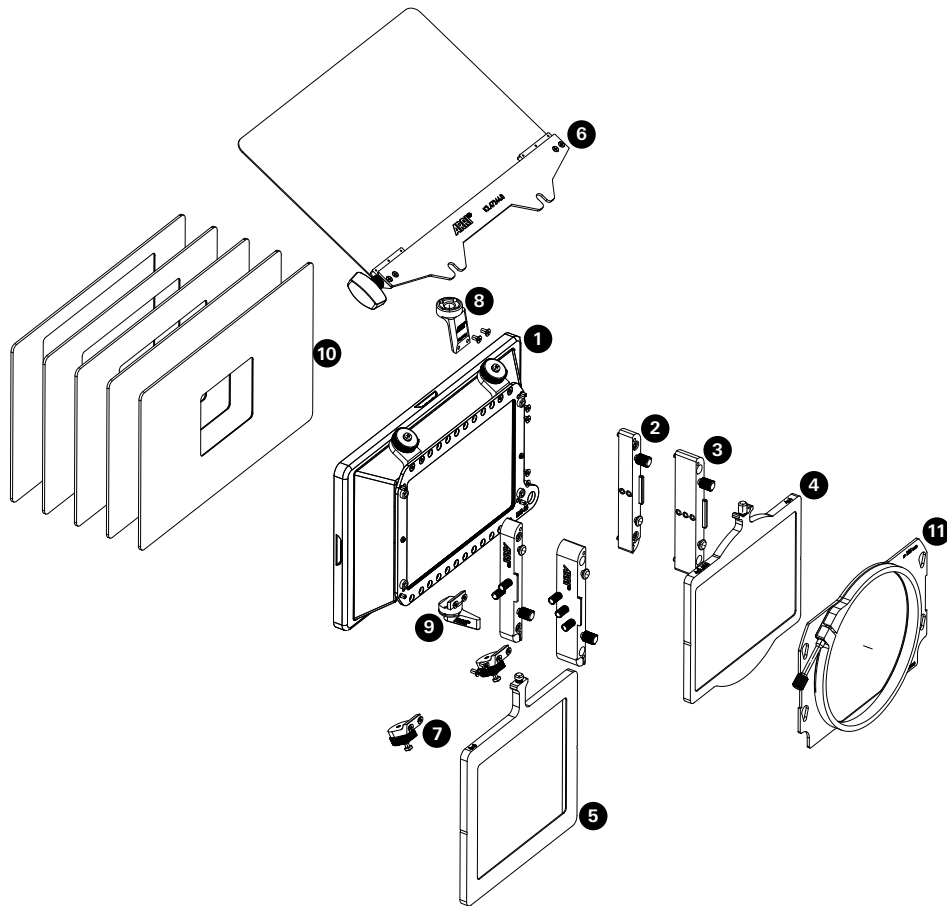
## Lightweight Matte Box LMB-6

The LMB-6 is designed for two or three filters up to the size 6.6" x 6.6". It is based on the same principle as the Lightweight Matte Box LMB-25 with a maximum clamping diameter of 162 mm. When used along with an ALEXA in 2.8K mode, the LMB-6 will cover the Ultra Wide Zoom 9.5-18 mm as well as the rectilinear Ultra Prime 8R in a three-stage configuration.



**Note:** All LMB-25 illustrations apply to LMB-6 unless specified.

## LMB-25 OVERVIEW



### MAIN UNIT

<b>1</b>	LMB-25 Basic Module . . . . .	K2.66177.0
	Includes pair top/bottom flag holders (K2.66179.0)	

### ACCESSORIES

<b>2</b>	2-Filter Stage Guide . . . . .	K2.66176.0
<b>3</b>	3-Filter Stage Guide . . . . .	K2.66175.0
<b>4</b>	Filter Frame 4" x 5.65" / 4" x 4" . . . . .	K2.66133.0
<b>5</b>	Filter Frame 5" x 5" . . . . .	K2.65183.0
<b>6</b>	Light Shield . . . . .	K2.47244.0
<b>7</b>	Top/Bottom Flag Holders (pair) ** . . . . .	K2.66179.0
<b>8</b>	3/8" Accessory Attachment ** . . . . .	K2.66178.0
<b>9</b>	Tray Catcher ** . . . . .	K2.66202.0
<b>10</b>	Set of Masks for LMB-25 (5x) . . . . .	K2.66022.0
<b>11</b>	LMB-5/15/25 Clamp Adapters - All cross compatible	
	■ Clamp Adapter Ø 143 mm . . . . .	K2.65223.0
	(Compatible with R9 Clamp-On Rings)	
	■ Clamp Adapter Ø 136 mm . . . . .	K2.66218.0
	■ Clamp Adapter Ø 134 mm . . . . .	K2.66217.0
	■ Clamp Adapter Ø 130 mm . . . . .	K2.65103.0
	(Compatible with R7 Clamp-On Rings)	
	■ Clamp Adapter Ø 125 mm . . . . .	K2.66219.0
	■ Clamp Adapter Ø 114 mm . . . . .	K2.47240.0
	■ Clamp Adapter Ø 110 mm . . . . .	K2.52097.0
	■ Clamp Adapter Ø 104 mm . . . . .	K2.47253.0
	■ Clamp Adapter Ø 95 mm . . . . .	K2.47241.0
	■ Clamp Adapter Ø 87 mm . . . . .	K2.47242.0
	■ Clamp Adapter Ø 80 mm . . . . .	K2.47243.0

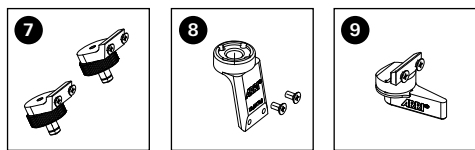
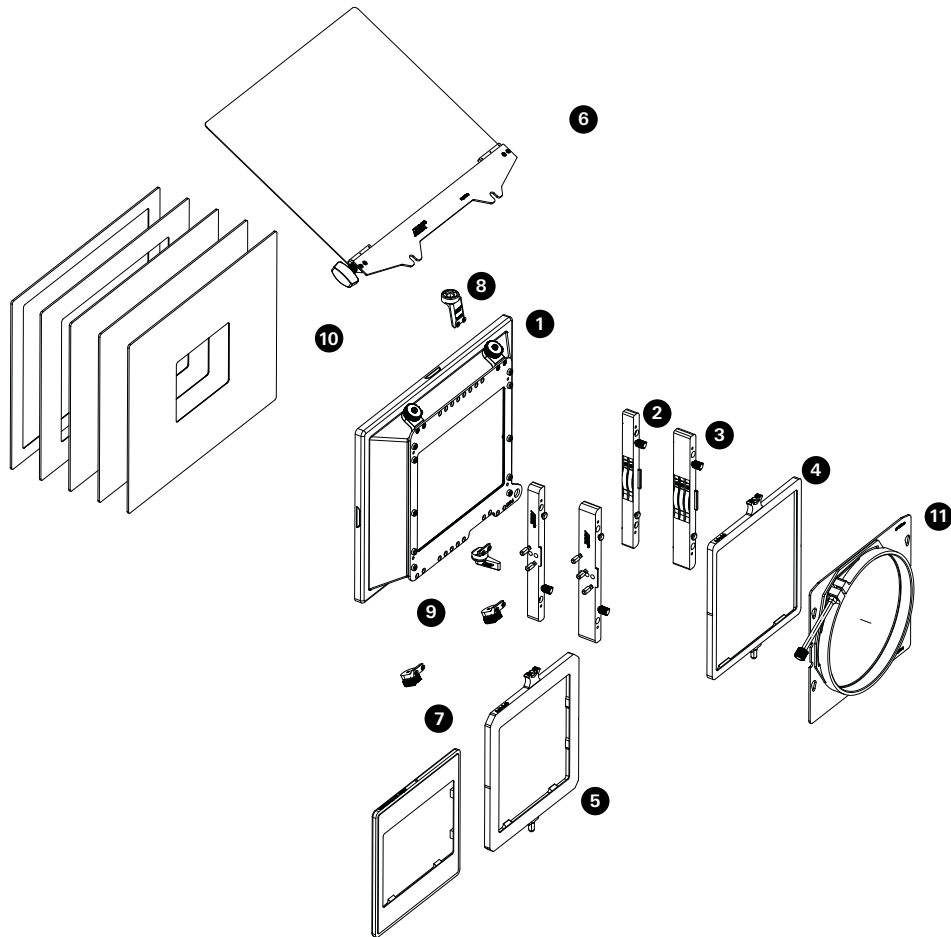
### COMPATIBILITY

The LMB-25 is compatible with various existing ARRI filter frames, filter stage guides and clamp adapters.

*	Filter Frame 4" x 5.65" / 4" x 4" . . . . .	K2.66133.0
*	Filter Frame 4"x 4" . . . . .	K2.47104.0
*	LMB-15 Matte Set (4x) HD 16x9 and 16 mm . . . . .	K2.66021.0
*	LMB-15 Matte Set (4x) 35 mm . . . . .	K2.66022.0

\* Discontinued items. Not available for sale from ARRI.  
 \*\* (Pos. 7, 8, 9) These accessories are compatible with both LMB-25 and LMB-6.

### LMB-6 OVERVIEW



### MAIN UNIT

<b>1</b>	LMB-6 Basic Module . . . . .	K2.66232.0
	Includes pair top/bottom flag holders (K2.66179.0)	

### ACCESSORIES

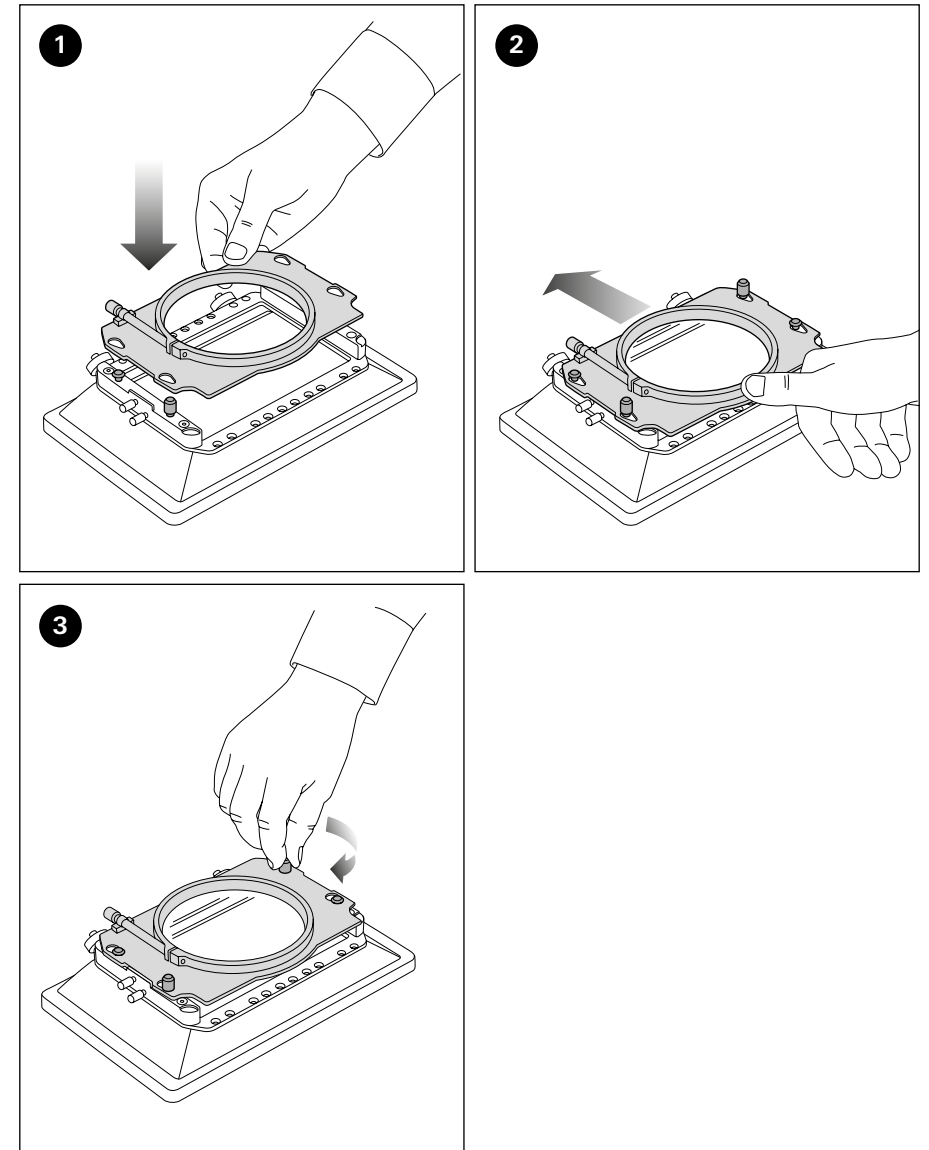
<b>2</b>	2-Filter Stage Guide . . . . .	K2.66242.0
<b>3</b>	3-Filter Stage Guide . . . . .	K2.66244.0
<b>4</b>	Filter Frame 6.6" x 6.6" . . . . .	K2.0001034
<b>5</b>	Filter Frame 5.65" x 5.65" . . . . .	K2.66063.0
<b>6</b>	Light Shield . . . . .	K2.66231.0
<b>7</b>	Top/Bottom Flag Holders (pair) ** . . . . .	K2.66179.0
<b>8</b>	3/8" Accessory Attachment ** . . . . .	K2.66178.0
<b>9</b>	Tray Catcher ** . . . . .	K2.66202.0
<b>10</b>	Set of Masks for LMB-6 (5x) . . . . .	K2.66243.0
<b>11</b>	LMB-6 Clamp Adapters	
	■ Clamp Adapter Ø 162 mm . . . . .	K2.66234.0
	■ Clamp Adapter Ø 156 mm . . . . .	K2.66233.0
	■ Clamp Adapter Ø 136 mm . . . . .	K2.66235.0
	■ Clamp Adapter Ø 134 mm . . . . .	K2.66236.0
	■ Clamp Adapter Ø 125 mm . . . . .	K2.66237.0
	■ Clamp Adapter Ø 114 mm . . . . .	K2.66238.0
	■ Clamp Adapter Ø 110 mm . . . . .	K2.66239.0
	■ Clamp Adapter Ø 104 mm . . . . .	K2.66240.0
	■ Clamp Adapter Ø 95 mm . . . . .	K2.66241.0

\*\* (Pos. 7, 8, 9) These accessories are compatible with both LMB-25 and LMB-6.

## Fit Clamp Adapter

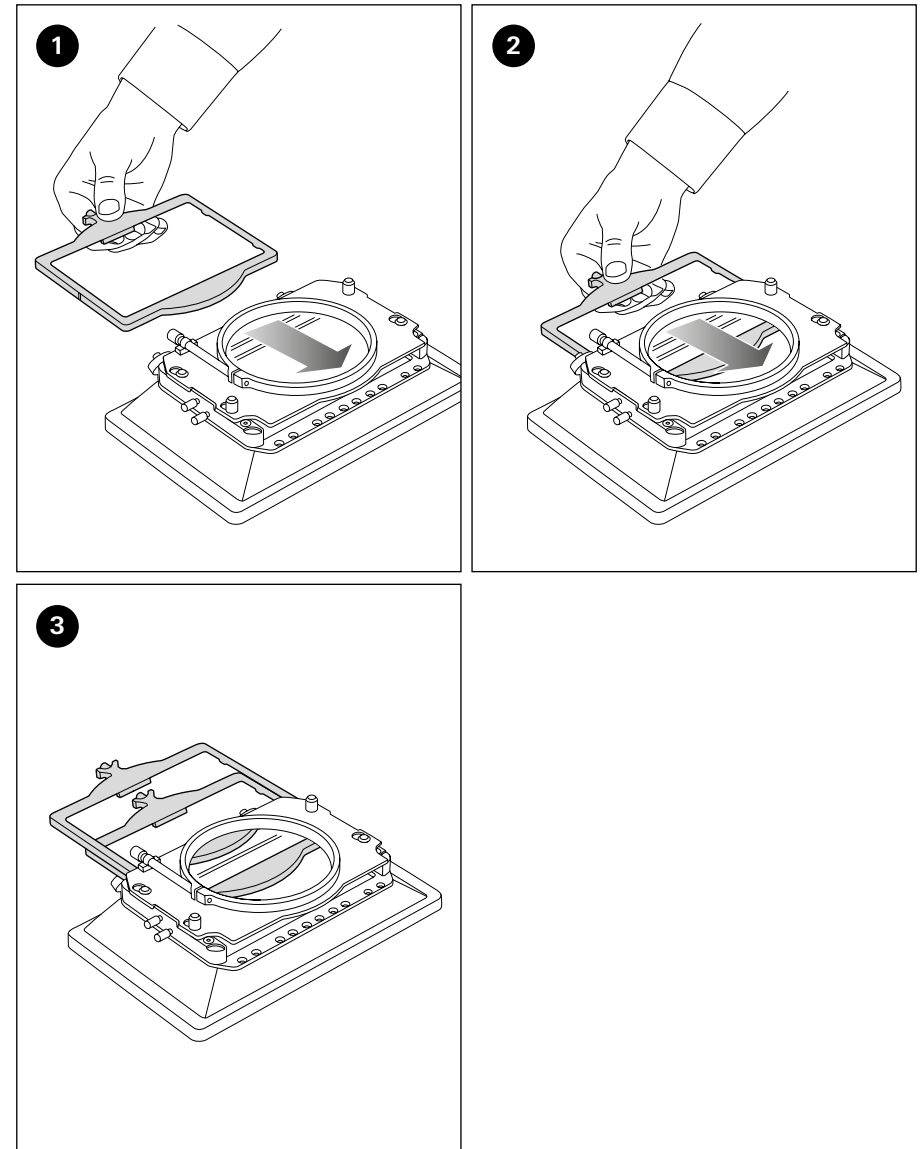
The LMB-25 and LMB-6 clamp-on matte boxes adapt to various lens diameters via a series of interchangeable clamp adapters.

- 1** To fit a clamp adapter, position it through the locking thumbscrews so it sits flush with the filter stage.
- 2** Slide the clamp adapter upwards.
- 3** Lock the clamp adapter using the two locking thumbscrews positioned at the rear of the filter stages.



## Insert Filter Frame

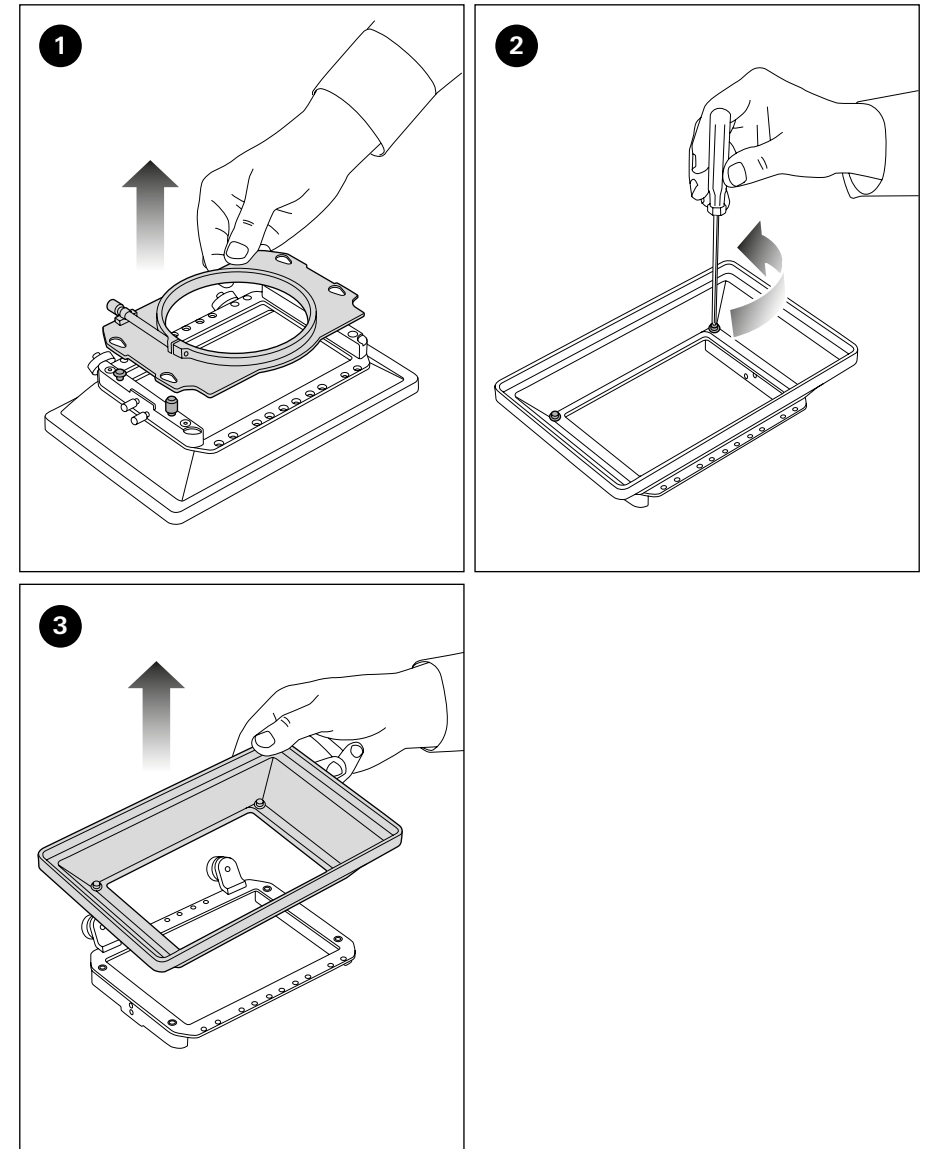
Two or three filter frames are typically inserted from the top of the matte box with the clamp adapter fitted. Filter frames can be inserted from the bottom of the matte box if needed.



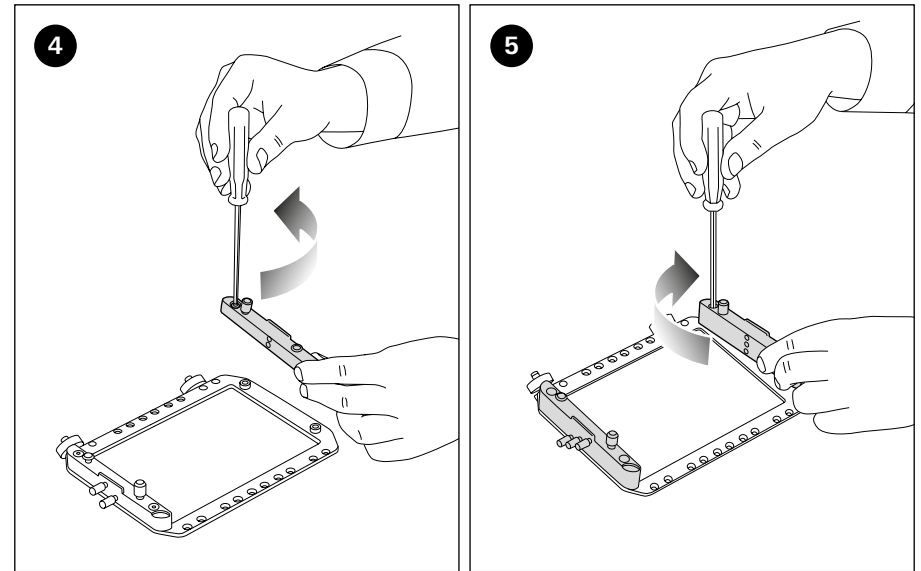
## Fit 2- or 3-Filter Stage Guides

The LMB-25 and LMB-6 can hold two or three filters, depending on requirements. Some situations will require holding three filters, although greater lens coverage is achieved with a two-filter configuration. (Steps 2 and 3 are not necessary with the LMB-6).

- 1 Remove the rear clamp adapter.  
(Refer to Pos. 1.)
- 2 Turn the module face up and loosen the four screws securing the front hood to the main plate.
- 3 Remove the front hood.



- 4 Remove the side filter stage guides by loosening the four captive screws.
- 5 Swap the filter stage guide to the required one (e.g. 3-filter tray stage guide).





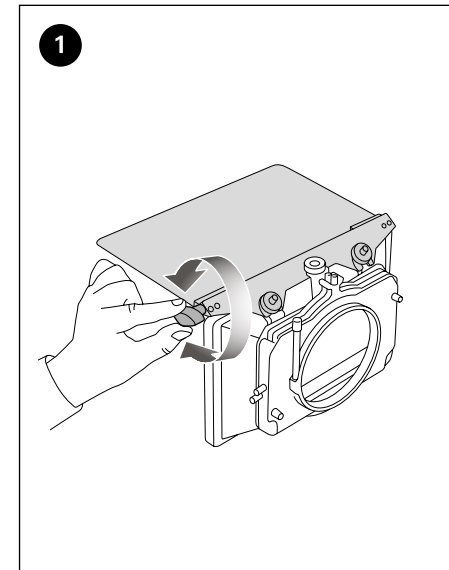
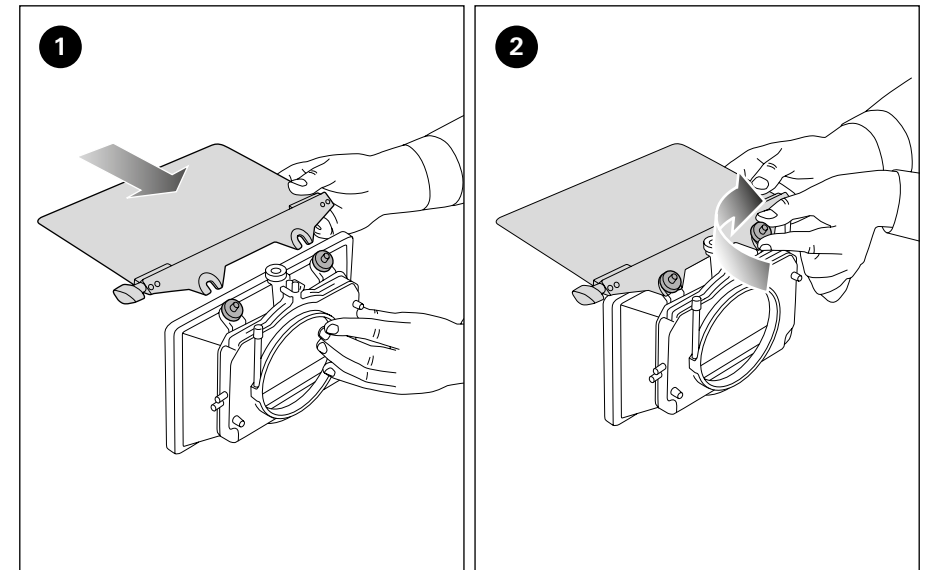
## Fit Top/Bottom Flag

- 1 Slide the top/bottom flag onto the flag holders of the LMB-25 and LMB-6.
- 2 Tighten the locking knobs.

**Note:** The top/bottom flag can be folded onto the hood to offer protection to the lens when the camera is being moved on set.

## Adjust Flag Friction

- 1 Top/bottom flag friction adjustment can be set using the flag friction knob. The flag can be locked in position using the same knob.

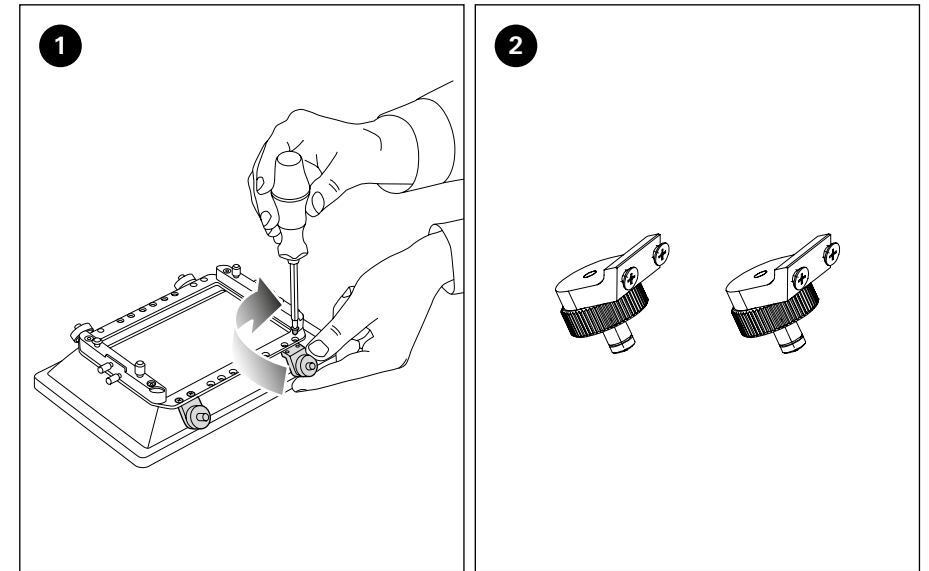


## Adding optional Bottom Flag Holders

- 1 If a bottom flag is needed, the top/bottom flag can be fitted to the bottom of the matte box using two optional flag holders.

Secure each of bottom flag holders to the bottom of the basic module with two screws.

- 2 Optional pair of bottom flag holders (Ident No.: K2.66179.0 common to LMB-25 and LMB-6).

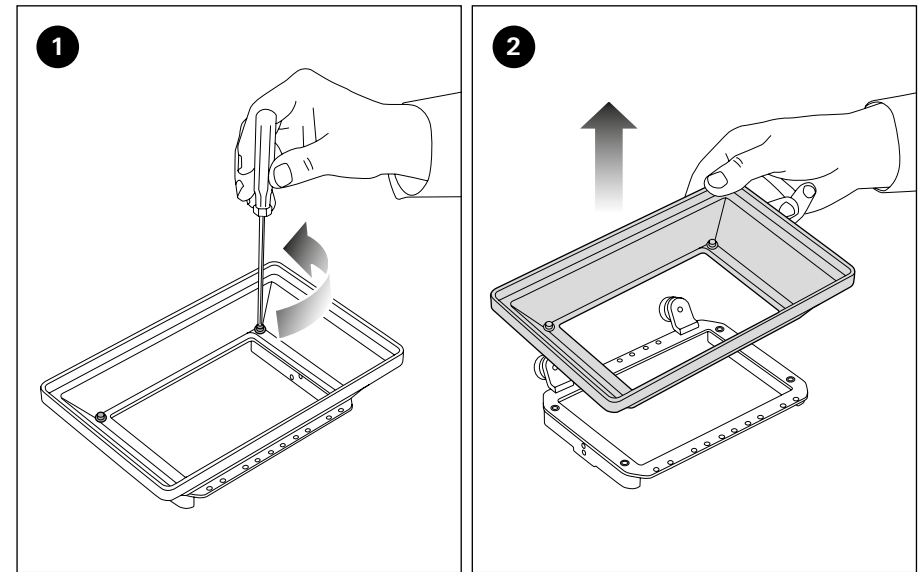


## Remove Hood

The front hood can be removed easily on set for special applications such as macro work, helicopter shots, or when a flare effect is desired.

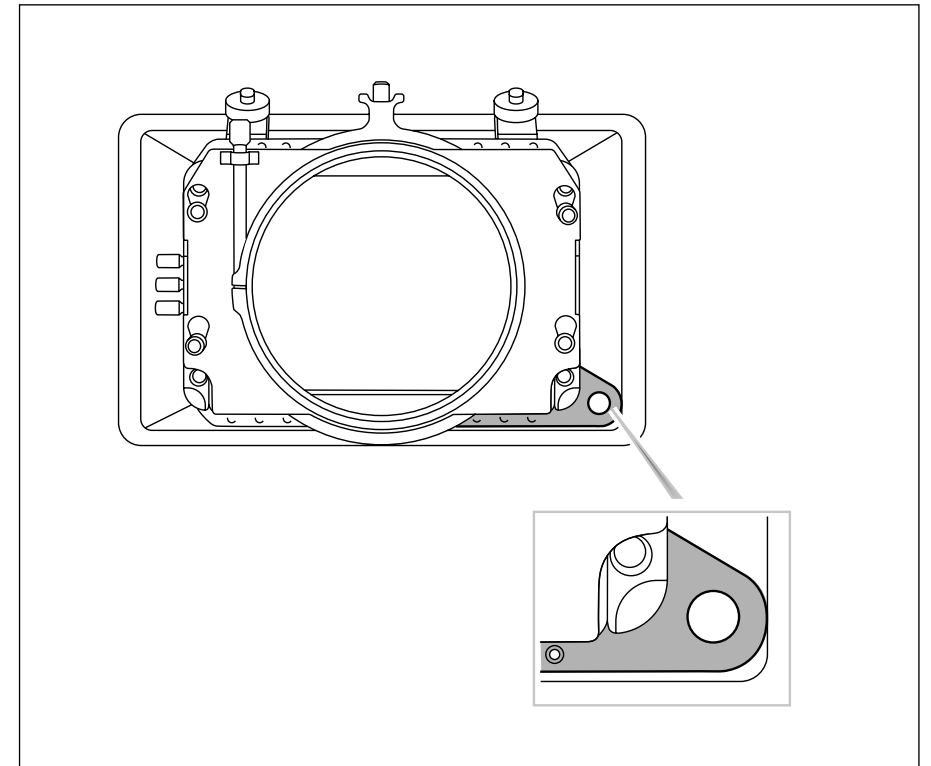
- 1** Turn the module face up and loosen the four screws on LMB-25 and the six screws on LMB-6 securing the front hood to the main plate.
- 2** Remove the front hood.

**Note:** The screws are captive so they stay attached to the hood when in storage to reduce the chances of losing them.



## Secure Matte Box for Crane Use

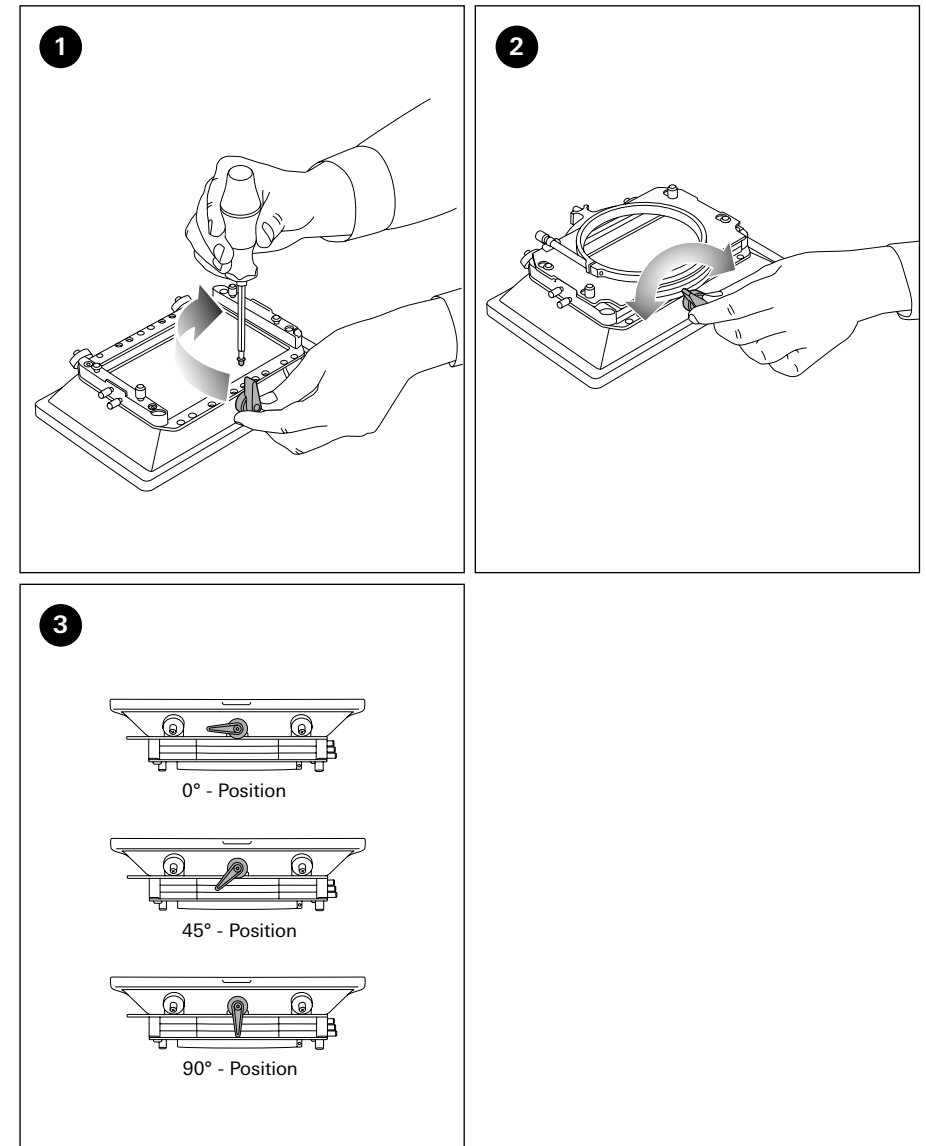
The LMB-25 and LMB-6 are fitted with a 10 mm eyelet at camera bottom right hand corner, allowing it to be secured when shooting on a crane (e.g. using a carabiner).



## Mounting and Usage of Tray Catcher

The bottom tray catcher is designed to secure the filter trays for situations when safety is paramount (e.g. when travelling above a crowd).

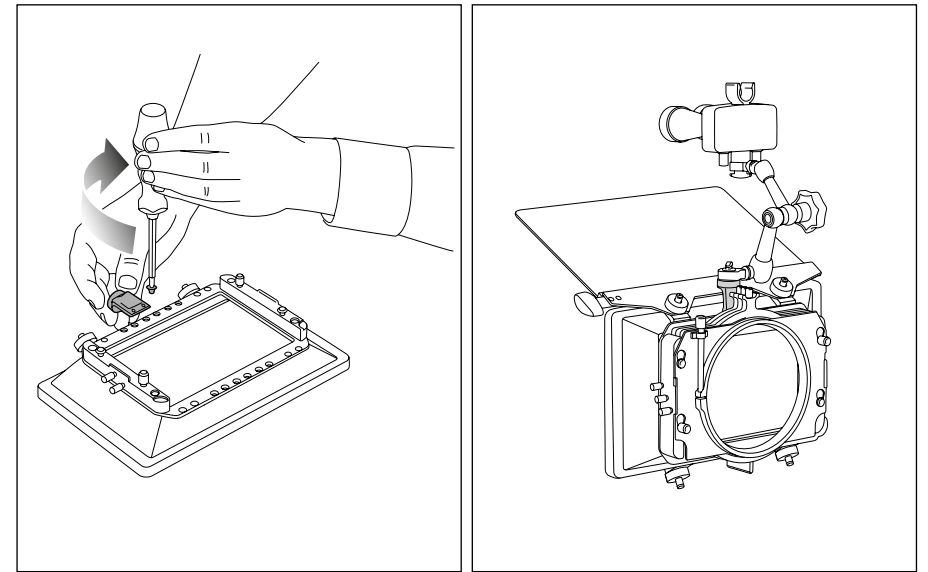
- 1** Secure the tray catcher with two screws to the bottom of the basic module.
- 2** The tray catcher clicks in position (both ways).
- 3** 0° - Position: The tray catcher can be permanently mounted to the LMB-25 and LMB-6 and clicked into place when required.  
 45° - Position: Covers two filter trays.  
 90° - Position: Covers all filter trays.



## Adding Accessory Attachment

The 3/8" accessory attachment can be mounted permanently to the LMB-25 and LMB-6 and allows the use of accessories such as ultrasonic devices. The accessory attachment can be mounted off-center if necessary and does not affect the mounting of the top flag.

Secure the accessory attachment with two screws to the top of the basic module.

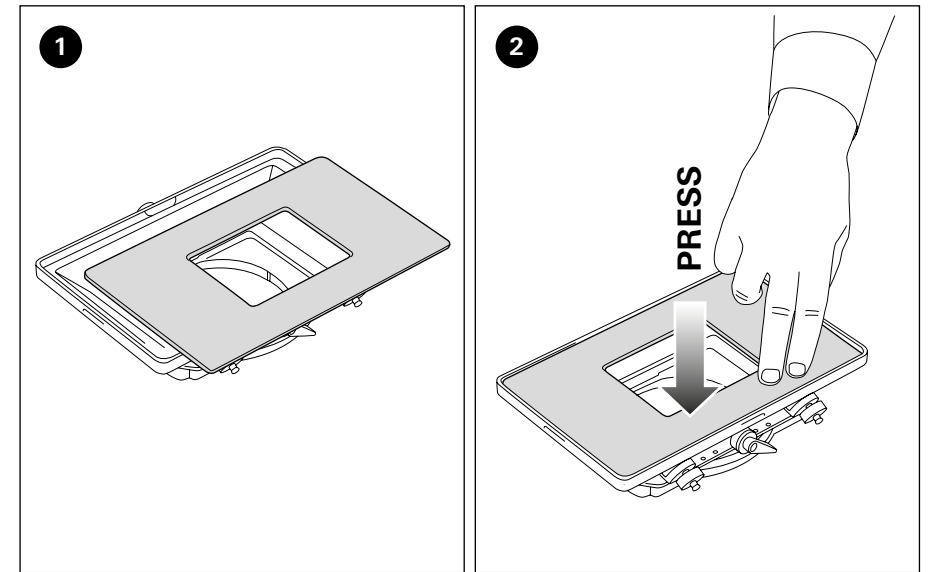


**Note:** Mounting the 3/8" accessory attachment to the matte box at the desired position requires the two supplied screws.

**Note:** The 3/8" accessory attachment is not designed to mount heavy or carrying accessories (e.g. handles).

## Inserting Mattes

Mattes come as a set of five different pieces and can be secured to the front of the matte box by simply pressing on the hood's four securing tabs.



**Note:** Due to the variety of sensor sizes and lens properties, you are advised to test mattes and lens coverage with your own equipment.

© 2012 Arnold & Richter Cine Technik GmbH & Co. Betriebs KG ("ARRI").  
ALL RIGHTS RESERVED.

THIS SPECIFICATION IS PROVIDED "AS IS" AND WITHOUT ANY WARRANTY OF ANY KIND, EXPRESSED OR IMPLIED. WITHOUT LIMITATION, THERE IS NO WARRANTY OF NON-INFRINGEMENT, NO WARRANTY OF MERCHANTABILITY, AND NO WARRANTY OF FITNESS FOR A PARTICULAR PURPOSE. ALL WARRANTIES ARE EXPRESSLY DISCLAIMED. YOU ASSUME THE FULL RISK OF USING THIS SPECIFICATION. IN NO EVENT SHALL ARRI BE LIABLE FOR ANY ACTUAL, DIRECT, INDIRECT, PUNITIVE, OR CONSEQUENTIAL DAMAGES ARISING FROM SUCH USE, EVEN IF ADVISED OF THE POSSIBILITY OF SUCH DAMAGES.

THIS SPECIFICATION AND GIVEN INFORMATION ARE SUBJECT TO CHANGE WITHOUT NOTICE.

ARRI grants you a fully-paid, non-exclusive, non-transferable, worldwide, limited license (without the right to sublicense) to view and use the Specification only for the purpose of internal evaluation. No further license of any kind is granted hereunder, neither explicit nor implicit, for any other purpose.

THIS SPECIFICATION IS CONFIDENTIAL AND PROPRIETARY AND MAY NOT BE REPRODUCED IN WHOLE OR PART UNLESS AUTHORIZED IN WRITING BY AN AUTHORIZED REPRESENTATIVE OF ARRI.

ARRI and **ARRI**<sup>®</sup> are trademarks, registered trademarks or servicemarks of Arnold & Richter Cine Technik GmbH & Co. Betriebs KG.

## ARRI Sales Contacts

### Europe, Middle East, Africa, India

Arnold & Richter Cine Technik  
GmbH & Co. Betriebs KG  
Headquarters  
Munich, Germany  
salessupport@arri.de  
Tel: +49 89 3809 0

ARRI Italia S.r.l.  
Milan, Italy  
info@arri.it  
Tel: +39 02 262 271 75

ARRI CT Limited  
London, Great Britain  
mdollery@arri-ct.com  
Tel: +44 1895 457 000

### Asia

ARRI Asia Limited  
Hong Kong  
info@arriasia.hk  
Tel: +852 2571 9066

ARRI China (Beijing) Co. Limited  
Beijing, China  
store@arrichina.com  
Tel: +86 10 5900 9680

### Americas

ARRI Inc. East Coast  
Blauvelt, USA  
info@arri.com  
Tel: +1 845 353 1400

ARRI Inc. West Coast & Mexico  
Burbank, USA  
info@arri.com  
Tel: +1 818 841 7070

ARRI Inc.  
Central & Southern America  
Ford Lauderdale, USA  
ventas@arri.com  
Tel: +1 954 322 4545

ARRI Canada Limited  
Ontario, Canada  
info@arri.com  
Tel: +1 416 255 3335

### Australia / New Zealand

ARRI Australia Pty Limited  
Sydney, Australia  
info@arri.com.au  
Tel: +61 2 9855 4300

Over 50 service and support partners worldwide; contact details at  
[www.arri.com](http://www.arri.com)



